

NPTD New Pivoting Tray Drawer



FOCUS-New Pivoting Tray Drawer is suitable for splicing and patching fibre optic cables. The rack (or case) structure of these drawers are 19" in size with a metallic material and a removable front cover. Pivoting trays are mounted inside, right or left opening according to the request.

Upon customer's needs, Optotec supplies FOCUS NPTD trays preloaded with splice array modules, adapters preloaded with splice array modules and adapters (SC, LC, etc.). Furthermore, the internal layout of the trays can be easily integrated with Splitters, WDM and any other passive device.

FOCUS NPTD trays can be configured both patch&splice mixed mode and patch only.

FOCUS NPTD subracks are light gray RAL 7035 powder coated painted.



FOCUS NPTD subracks can be mounted on ETSI frames by using suitable brackets. Please, contact our offices for more info.

APPLICATION

Inside and Outside plant installations - Central Offices, telecommunication equipment rooms

High density splices and multi-cables interconnections

TECHNICAL FEATURES

Removable front cover and pivoting trays for easy installation and maintenance

Minimum bending radius guaranteed

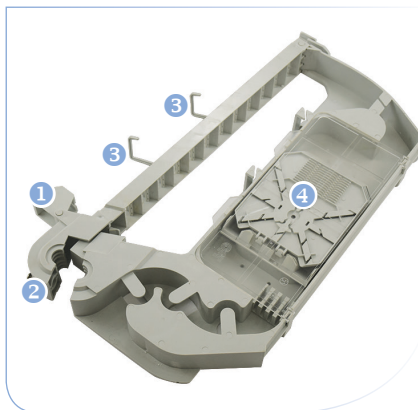


All Size (1U, 2U, 3U) of FOCUS NPTD subracks includes up to 3 trays as represented by the pictures to the right.

FOCUS NPTD MIR or MIL

R RIGTH OPENING OR L LEFT OPENING

THIS TYPE OF SUBRACK TRAY IS USED TO PATCH & SPLICE

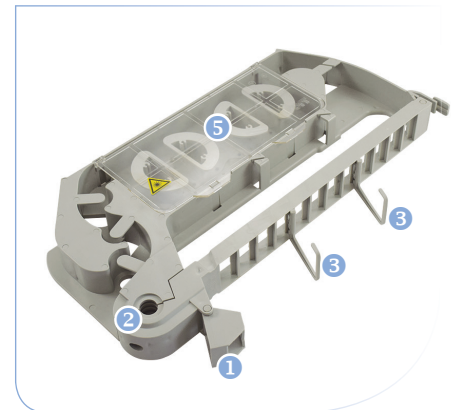


- 1 Bending control for out patched cords
- 2 Pivoting and openable fixing system for easy assembly
- 3 Patch cord sustaining hooks
- 4 FOCUS RHD splice array module tray
- 5 Bending Control system with cable limiter drums

FOCUS NPTD PIR or PIL

R RIGTH OPENING OR L LEFT OPENING

THIS TYPE OF SUBRACK TRAY IS USED ONLY TO PATCH



FOCUS NPTD M PATCH&SPLICE - ORDERING INFORMATION



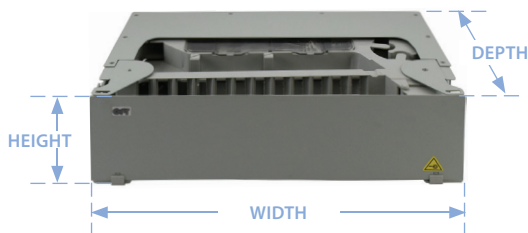
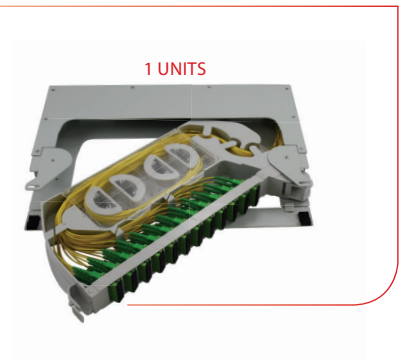
OPTOTEC PN. EXAMPLE:

FOCUS NPTD	M	I	R	3	RHD	12	12	H	XX	XXX	XXX
SERIE NAME	CONFIGURATION TYPE	STANDARD TYPE	OPENING SIDE TRAY	No. UNITS	SPLICE ARRAY MODULE TYPE	TOT TRAYS No.	TOT SPLICE No. PER TRAYS	HOLDER TYPE FOR SPLICE PROTECTION	CONNECTOR TYPE	TOT No. ADAPTER	TOT No. PIGTAILS
FOCUS NPTD	M = MIXED PATCH & SPLICE	I = 19 INCHES	R = RIGHT	3	RHD	12	12	H = HEAT-SHRINKABLE (SMOUV TYPE)	S0 = SC-PC SIMPLEX	UP TO 144 (108)	UP TO 144 (216)
			L = LEFT	2		8	24	C = MECHANICAL CRIMP (ANTTYPE)	S2 = SC-APC SIMPLEX	UP TO 96 (72)	UP TO 96 (144)
				1		4			2L0 = LC-PC SM DUPLEX	UP TO 48 (36)	UP TO 48 (72)
									2L2 = LC-APC SM DUPLEX		

FOCUS NPTD P PATCH ONLY - ORDERING INFORMATION

OPTOTEC PN. EXAMPLE:

FOCUS NPTD	P	I	R	1	XX	XXX
SERIE NAME	CONFIGURATION TYPE	STANDARD TYPE	OPENING SIDE TRAY	No. UNITS	CONNECTOR TYPE	TOT No. ADAPTER
FOCUS NPTD	P = PATCH ONLY	I = 19 INCHES	R = RIGHT	3	S0 = SC-PC SIMPLEX	UP TO 144 (108)
			L = LEFT	2	S2 = SC-APC SIMPLEX	UP TO 96 (72)
				1	2L0 = LC-PC SM DUPLEX	UP TO 48 (36)
					2L2 = LC-APC SM DUPLEX	



STANDARD TYPE	UNITS NUMBER	FOCUS N-PTD DIMENSION IN mm			TRAYS NUMBER	
		WIDTH	DEPTH	HEIGHT		
		19 INCHES	1U	445		280
		2U	445	280	84,5	UP TO 2
		3U	445	280	128	UP TO 3

PACKAGING FEATURES

PRODUCT NAME	PACKAGING TYPE	DIMENSIONS (mm)			GROSS WEIGHT (KG.)
		WIDTH	DEPTH	HEIGHT	
FOCUS-NPTD 1 UNIT	Carton box	510	360	120	3,5
FOCUS-NPTD 2 UNITS	Carton box	510	360	155	5,8
FOCUS-NPTD 3 UNITS	Carton box	510	360	200	9,5